

Model No :: **20280LEDDMG-WH/OPL**
 Name :: Cabo



Project Name :: _____
 Location :: _____
 Type :: _____
 Quantity :: _____
 Notes :: _____

Product Information

Product ID :: 20280
 UPC Code :: 641594236668
 Mounting Type :: Wall
 Finish :: White (WH)
 Diffuser :: Opal (OPL)
 Alt. Finishes :: Black (BL); Satin (SAT); White (WH)
 Alt. Diffusers :: Opal (OPL)

Product Dimensions

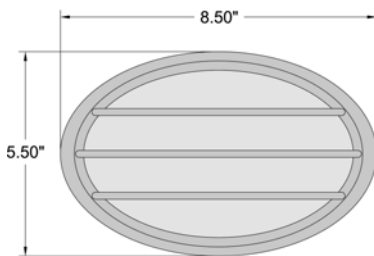
Fixture	Canopy
Length :: N/A	Length :: N/A
Width :: 8.5"	Width :: N/A
Diameter :: N/A	Diameter :: N/A
Extension :: 4"	Height :: N/A
Height :: 5.25"	
Overall Height :: N/A	



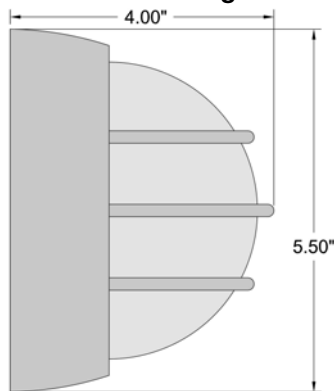
Technical Specifications

Qualifications	Specifications	Photometrics	Recommended Dimmers
Location Rating :: Wet	Frame Material :: Steel	CCT :: 3000	(ELV) LEVITON Decora DSE06-10Z; (ELV) LUTRON Maestro MAELV-600; (TRIAC) LEVITON Decora Sureslide 6674; (TRIAC) LUTRON Diva DVCL-153P; (TRIAC) LUTRON Skylark CL SCL-153 or SCL-153P
Certification :: ETL Listed (US/Canada)	Diffuser Material:: Glass	CRI :: 90	
IES File ::	Voltage :: 120v	Wattage :: 9w	
JA8 Compliant :: Yes	Lamping Type :: Dedicated LED	Nominal Lumens :: 800Lm	
Energy Star :: No	Lamping Base :: SSL	Delivered Lumens :: 429Lm	
ADA Compliant :: Yes	Lamp Quantity :: 1	Additional Items :: JA8 compliant when installed outdoors	
Marine Grade :: No	Lamp Wattage :: 9 W		
Emergency Lighting :: No	Total Wattage :: 9w		
Warranty :: 5 Year Limited	Lamps Included :: Yes		
	J-Box Type :: Standard		

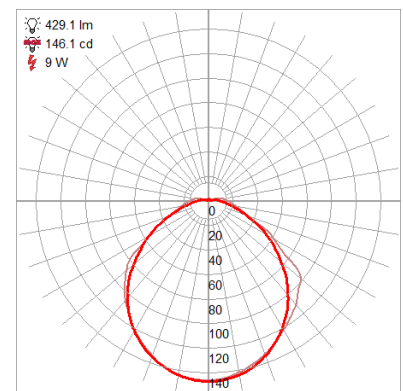
Line Drawing #1



Line Drawing #2



IES File



Toll Free 800-828-5483 • www.AccessLighting.com

14410 Myford Road, Irvine, CA 92606

The information provided is subject to change without notice. ©2020 Access Lighting Corporation. All Rights Reserved
 Rev. 202004 Filename:: 20280LEDDMG-WH_OPL.pdf

